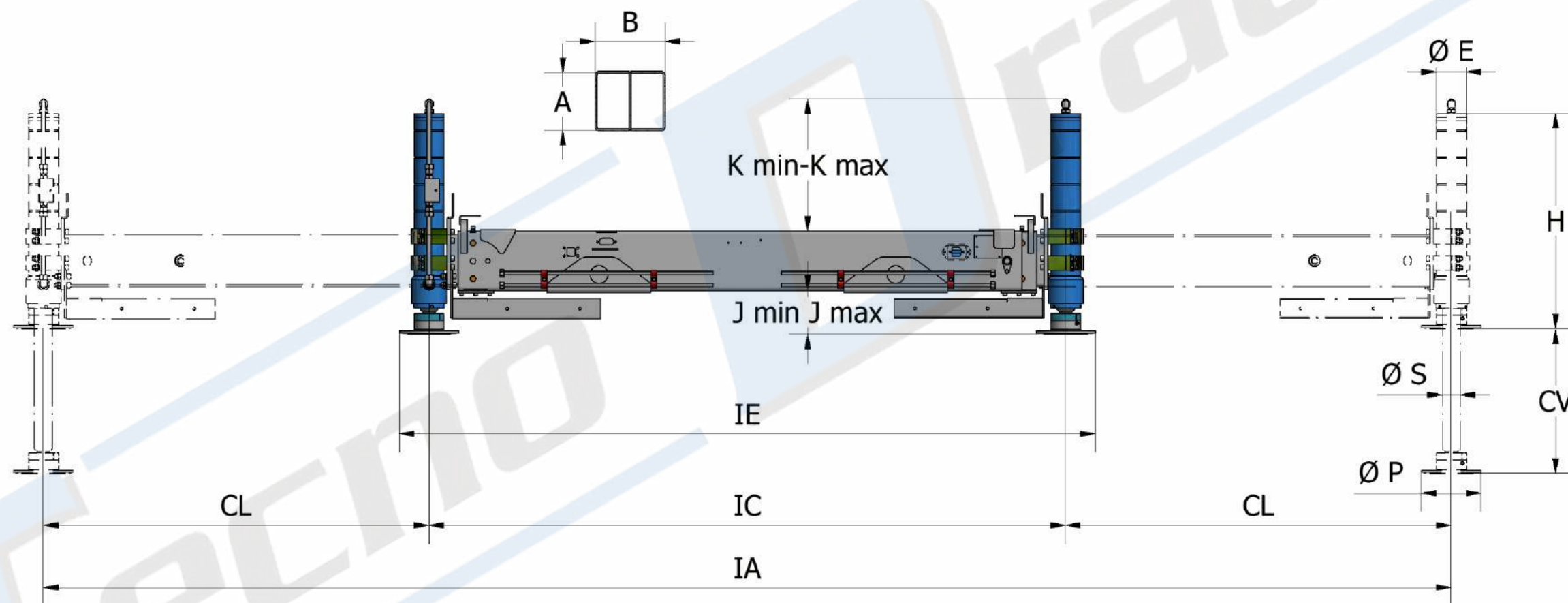


ADDITIONAL STABILIZERS WITH PARALLEL RODS

- Ideal for application with cranes with a capacity from 10 to 50 Ton-m
- Cylinders adjustable in height (CR version) available in different sizes



CRANE	SERIES	MODEL	MAIN DIMENSIONS (mm)													
			Ton-m	IE	IC	CL	IA	AxB	øE	øS	CV	H	øP	J min-max	K Min-max	Weight (Kg.)
10-23	1	TD-EMP/S-CR-PS	2260	2100	1150	4400	200x200	90	60	450	705	160	110-540	0-420	290	6100
		TD-EMP/L-CR-PS								580	830		110-640	0-540	300	
		TD EHP/S-CR-PS	2260	2100	1150	4400	200x200	90	60	450	705	160	110-540	0-420	320	6100
		TD-EHP/L-CR-PS								580	830		110-640	0-540	330	
18-31	2	TD-EMP/C-CR-PS	2300	2100	1300	4700	200x235	100	60	470	750	200	100-550	0-450	340	8250
		TD-EMP/S-CR-PS								550	830		100-640	0-540	350	
		TD-EMP/L-CR-PS								635	910		100-730	0-610	360	
		TD-EHP/C-CR-PS	2300	2100	1300	4700	200x235	100	60	470	750	200	100-550	0-450	380	8250
		TD-EHP/S-CR-PS								550	830		100-640	0-540	390	
		TD-EHP/L-CR-PS								635	910		100-730	0-610	400	
20-38	3	TD-EHP/C-CR-PS	2400	2200	1400	5000	250x235	100	60	470	750	200	135-585	0-440	435	10450
		TD-EHP/S-CR-PS								550	830		135-675	0-530	440	
		TD-EHP/L-CR-PS								635	915		135-760	0-620	460	
30-50	4	TD-EHP/C-CR-PS	2400	2200	1400	5000	300x235	110	70	565	840	200	80-620	0-470	540	12700
		TD-EHP/S-CR-PS								735	1000		80-740	0-680	570	

EMP: manual extendable

EHP: hydraulic extendable

PS: standard articulated footplate

PF: for cylinders with fixed footplate (available on request), decrease the "H" dimension by approximately 28 mm

OPTIONAL:

CGR: manual rotating cylinder (360°) available from 0A TD series to 2 TD series.

CGRI: hydraulic rotating cylinder (180°) available from 2 TD series

DIMENSIONS SHOWN ARE INDICATIVE. WE RECOMMEND TO REQUEST A DIMENSIONAL DRAWING DURING THE OFFER
DATA MAY BE CHANGED WITHOUT NOTICE

ALL RIGHTS RESERVED. COPYING AND REPRODUCTION OF THE CONTENTS AND IMAGES IN ANY FORM IS PROHIBITED

TECNODRAULIC srl via 1° Maggio, 32/36 - 25010 ISORELLA (Brescia) ITALY P.IVA 02177550981

Tel. +39.030.9529199 - Fax +39.030.9529284 - www.tecnodraulic.com - info@tecnodraulic.com Cap. Soc. € 15.300,00 i.v. - Reg. Imp. BS n. 02177550981 - REA n. 427275