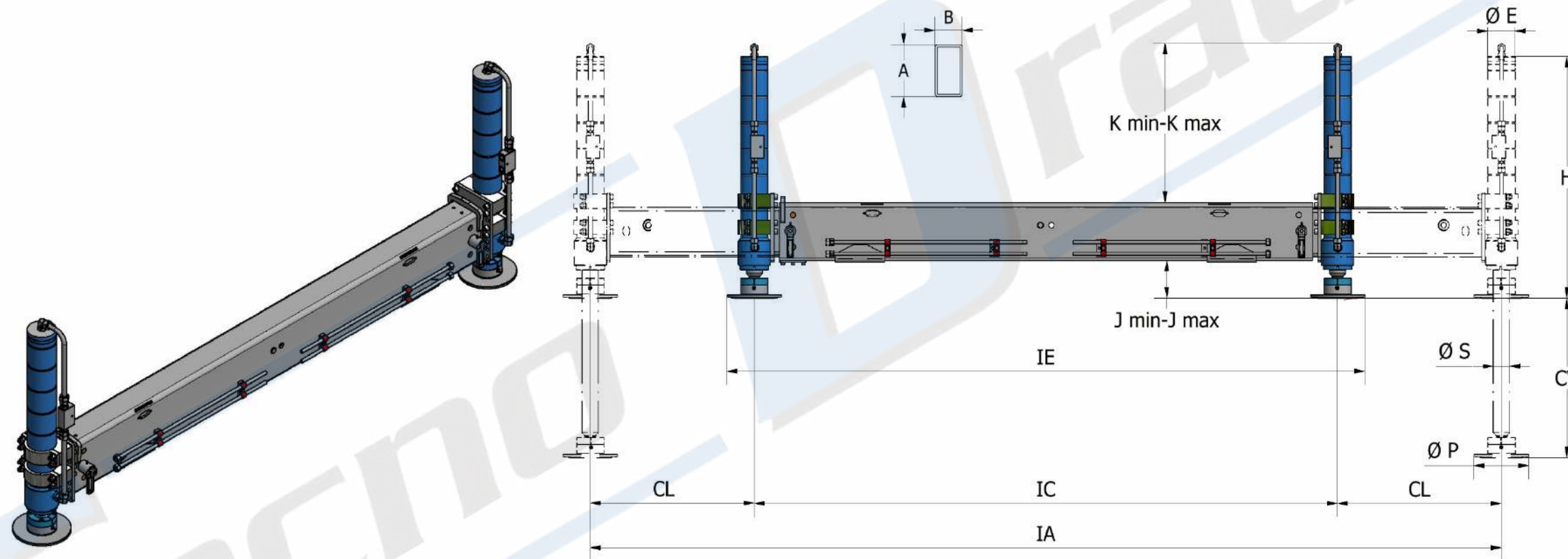


## ADDITIONAL STABILIZERS WITH OPPOSED RODS

- Ideal for application with cranes with capacity from 2-4 Ton-m up to 50 Ton-m.
- Cylinders adjustable in height (CR version) available in different sizes
- Hydraulic or manual extendable



CRANE	SERIES	MODEL	MAIN DIMENSIONS (mm)																
Ton-m			IE	IC	CL	IA	AxB	CV	øE	øS	H	øP	J min-max	K Min-max	Weight (Kg.)	R.max (daN)			
2-4	0A-C	TD-EML/S-CR-PS	1720	1560	450	2460	120x80	355	75	40	530	160	125-425	0-330	105	1550			
	0A	TD-EML/S-CR-PS	1960	1800	500	2800	120x80	355	75	40	530	160	125-425	0-330	115	1550			
4-10	0D	TD-EML/S-CR-PS	1970	1810	440	2690	150x100	355	75	40	530	160	115-415	0-240	130	2950			
	0C	TD-EML/S-CR-PS	2070	1910	500	2910									140				
	0	TD-EML/S-CR-PS	2260	2100	600	3300									150				
10-23	1	TD-EML/S-CR-PS	2260	210	600	3300	200x100	450	90	60	700	160	110-540	0-420	210	6250			
		TD-EML/L-CR-PS						580							840		110-640	0-540	220
		TD-EHL/S-CR-PS	2260	210	600	3300	200x100	450	90	60	700	160	110-540	0-420	225	6250			
		TD-EHL/L-CR-PS						580							840		110-640	0-540	235
18-31	2	TD-EML/C-CR-PS	2300	2100	600	3300	200x120	470	100	60	750	200	100-550	0-440	245	8200			
		TD-EML/S-CR-PS						550							830		100-640	0-530	250
		TD-EML/L-CR-PS						635							915		150-660	0-590	255
		TD-EHL/C-CR-PS	2300	2100	600	3300	200x120	470	100	60	750	200	100-550	0-440	260	8200			
		TD-EHL/C-CR-PS						550							830		100-640	0-530	270
		TD-EHL/L-CR-PS						635							915		150-660	0-590	280
30-50	4	TD-REHL/C-CR-PS	2487	2287	500	3287	204x206	565	110	70	840	200	70-750	0-600	470	12000			
		TD-REHL/L-CR-PS						735			1000		70-880		0-780		490		

DIMENSIONS SHOWN ARE INDICATIVE. WE RECOMMEND TO REQUEST A DIMENSIONAL DRAWING DURING THE OFFER  
DATA MAY BE CHANGED WITHOUT NOTICE

ALL RIGHTS RESERVED. COPYING AND REPRODUCTION OF THE CONTENTS AND IMAGES IN ANY FORM IS PROHIBITED

TECNODRAULIC srl via 1° Maggio, 32/36 - 25010 ISORELLA (Brescia) ITALY P.IVA 02177550981  
Tel. +39.030.9529199 - Fax +39.030.9529284 - [www.tecnodraulic.com](http://www.tecnodraulic.com) - [info@tecnodraulic.com](mailto:info@tecnodraulic.com) Cap. Soc. € 15.300,00 i.v. - Reg. Imp. BS n. 02177550981 - REA n. 427275

**PS:** standard articulated footplate

**PF:** for cylinders with fixed footplate (available on request), decrease the "H" dimension by approximately 28 mm

**EML:** manual extendable

**EHL:** hydraulic extendable

**OPTIONAL:**

**CGR:** manual rotating cylinder (360°) available from OA TD series to 2 TD series.

**CGRI:** hydraulic rotating cylinder (180°) available from 2 TD series