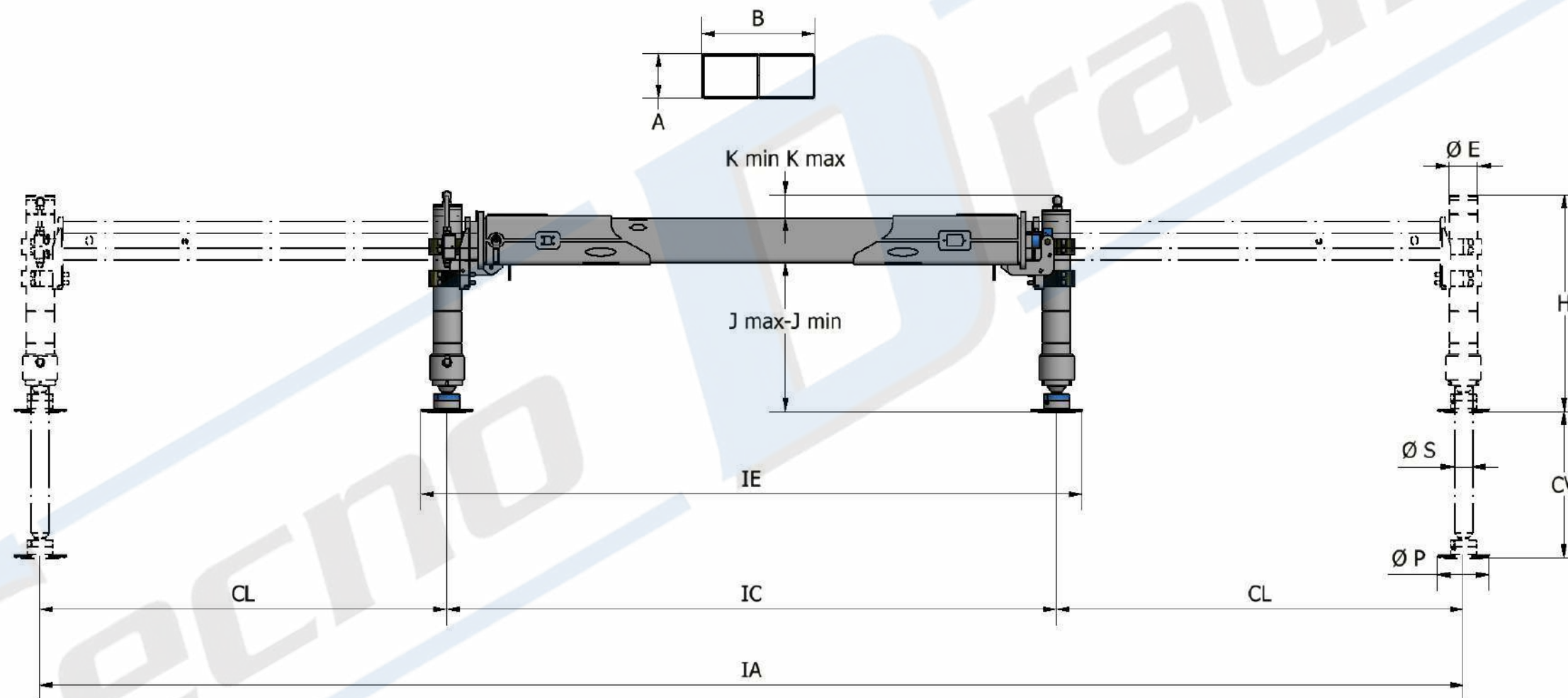


UNDER CHASSIS ADDITIONAL STABILIZERS

- Additional stabilizers with lowered structure for cranes with capacity from 20 Ton-m to 80 Ton-m
- Ideal for installation under chassis or on trucks with limited space
- Cylinders adjustable in height (CR version) available in several dimensions



CRANE	SERIES	MODEL	MAIN DIMENSIONS (mm)														
			Ton-m	IE	IC	CL	IA	AxB	øP	øE	øS	CV	H	J min-max	K Min-max	Weight (Kg.)	R.max (daN)
20-38	3	TD-REHP/C-CR	2440	2240	1300	4840	200x260	200	100	60	470	750	85-565	0-425	500	10450	○
		TD-REHP/S-CR									550	830	95-665	0-510	520		
		TD-REHP/L-CR									635	915	85-745	0-590	540		
30-50	4	TD-REHP/C-CR	2500	2300	1400	5100	200x380	200	110	70	565	840	0-700	200-400	770	12000	○
		TD-REHP/S-CR									735	1000	0-820	200-525	790		
30-50	4	TD-BLEHP/C-CR	2550	2350	1575	5500	170x435	200	110	70	565	840	230-630	80-485	740	12700	❖
		TD-BLEHP/S-CR									735	1000	230-750	80-610	760		
40-70	5	TD-REHPL/C-CR	2550	2350	1800	5950	250x400	200	120	90	460	850	170-670	0-420	900	14500	❖
		TD-REHPL/L-CR									610	1012	170-770	0-570	920		
50-80	5	TD-REXHP/C-CR	2500	2300	2300	6900	270x400	200	120	90	460	850	150-650	0-430	1060	14000	○
		TD-REXHP/L-CR									610	1012	150-750	0-580	1080		

PS: standard articulated footplate

OPTIONAL:
CGRI: hydraulic rotating cylinder (180°) available for all models

HOSE REELS:

- ❖ Standard hose reels
- Optional hose reels

[electro-hydraulic hose reels available on request]

DIMENSIONS SHOWN ARE INDICATIVE. WE RECOMMEND TO REQUEST A DIMENSIONAL DRAWING DURING THE OFFER
DATA MAY BE CHANGED WITHOUT NOTICE

ALL RIGHTS RESERVED. COPYING AND REPRODUCTION OF THE CONTENTS AND IMAGES IN ANY FORM IS PROHIBITED