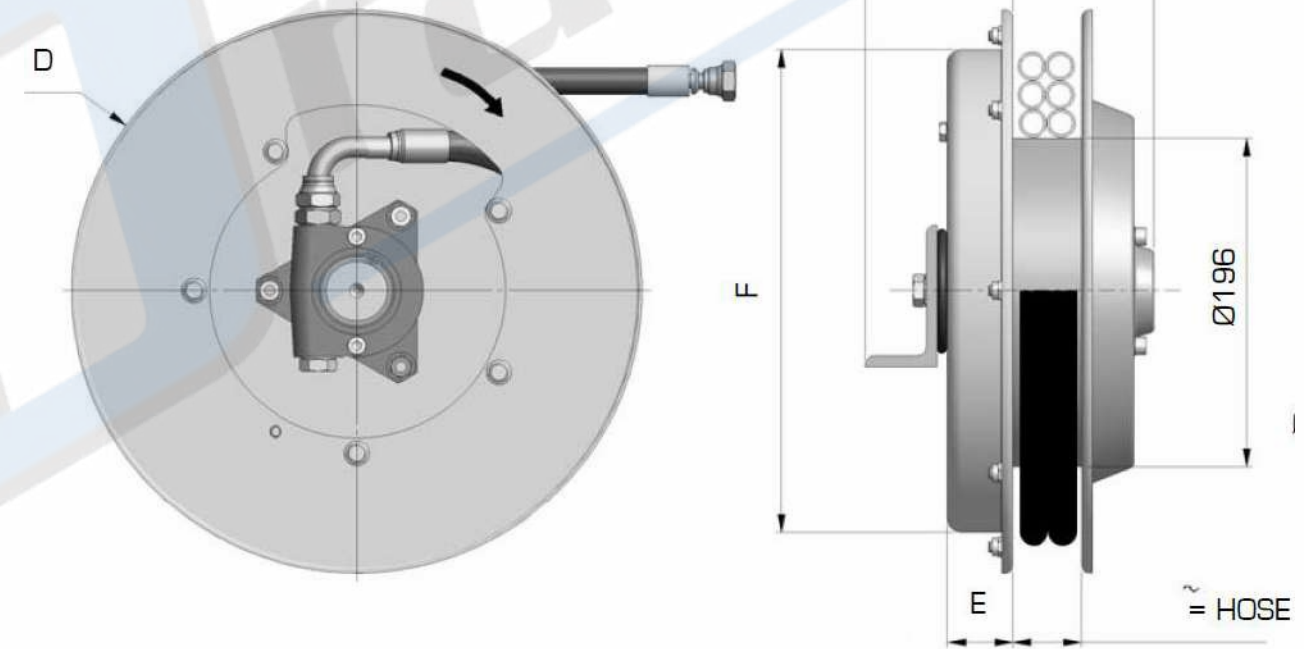


## HYDRAULIC HOSE REELS

Oil flow: 30 lt/min  
 Working pressure: 300 bar  
 Pipe speed: 30 m/min  
 Temperature: -20/+80°

MODEL	A	B	D	E	F	Ø PIPE
AG* 296	161	75	295	35	291	3/8
AG* 321	161	82	325	37	272	3/8
AG* 370	161	82	370	37	272	3/8

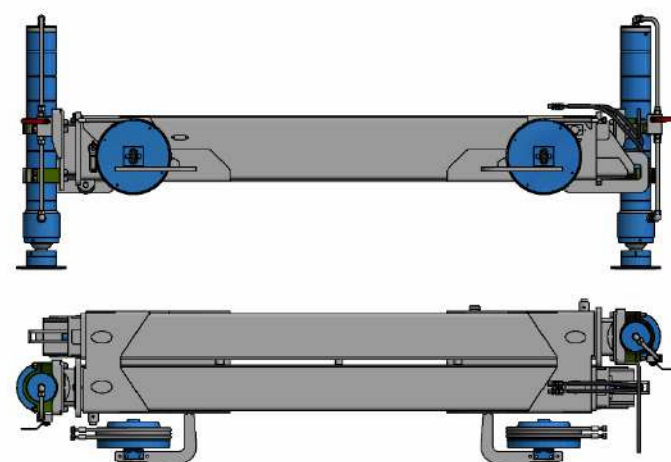


\*D o S (D= right rotation) – (S= left rotation)

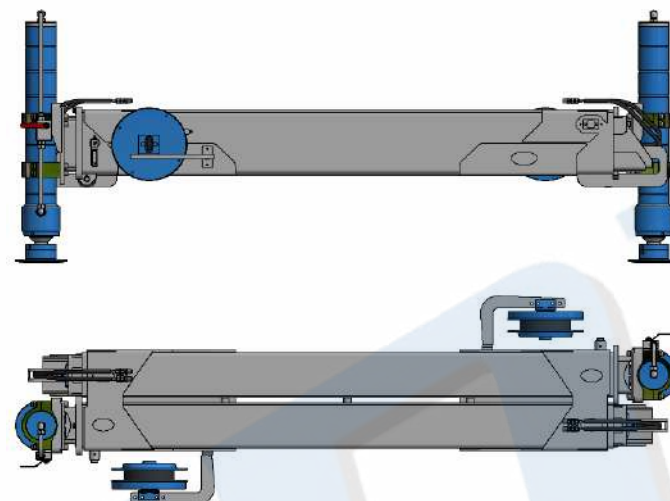
See different possible applications in the next page

## HOSE REELS DIFFERENT POSITIONS

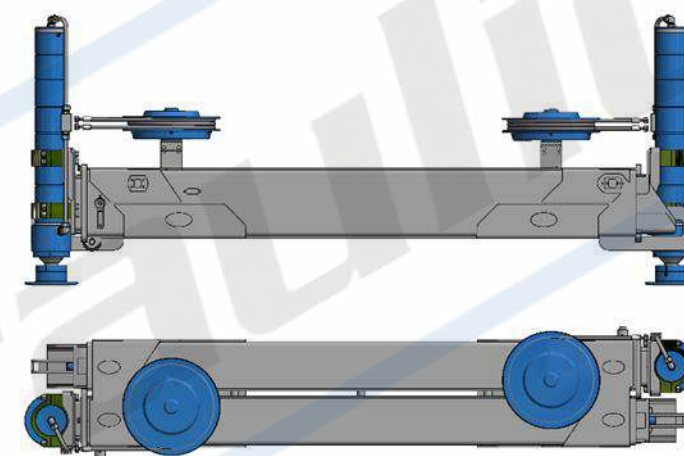
Different hose reels applications



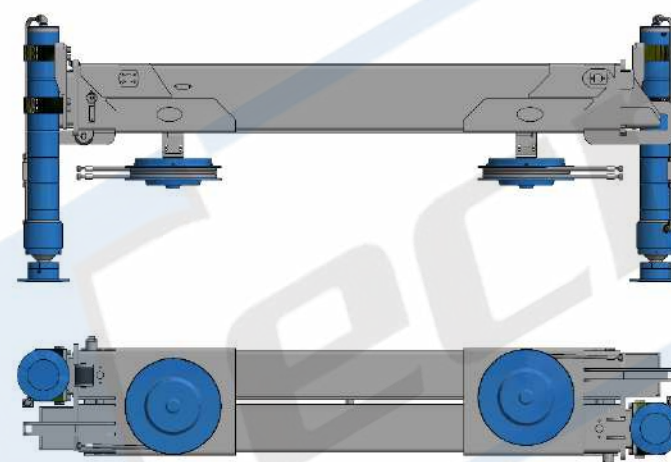
ON THE SAME SIDE



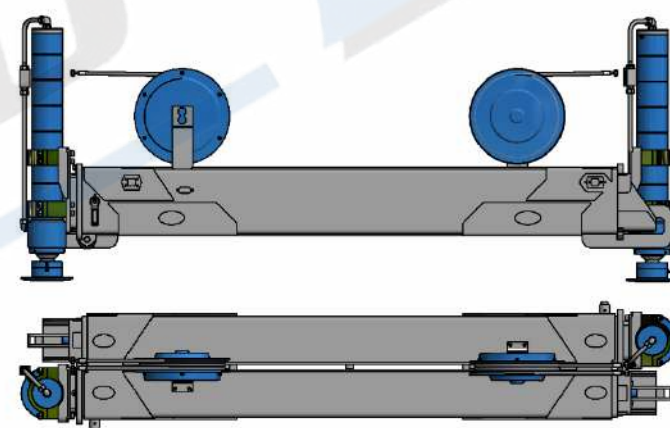
OPPOSITE SIDES



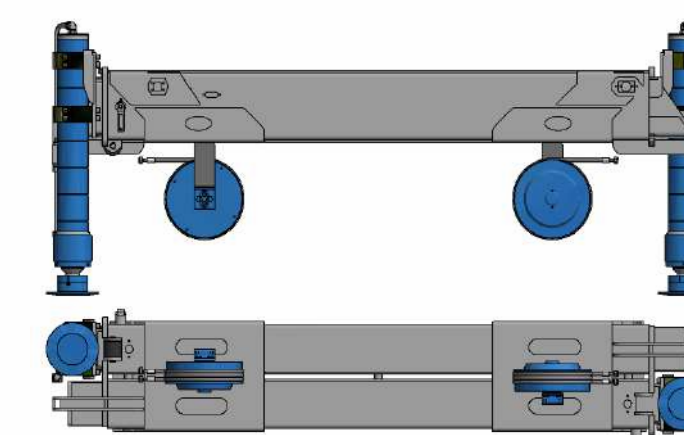
HORIZONTAL OVER STAB.



HORIZONTAL UNDER STAB.



VERTICAL OVER STAB.



VERTICAL UNDER STAB.