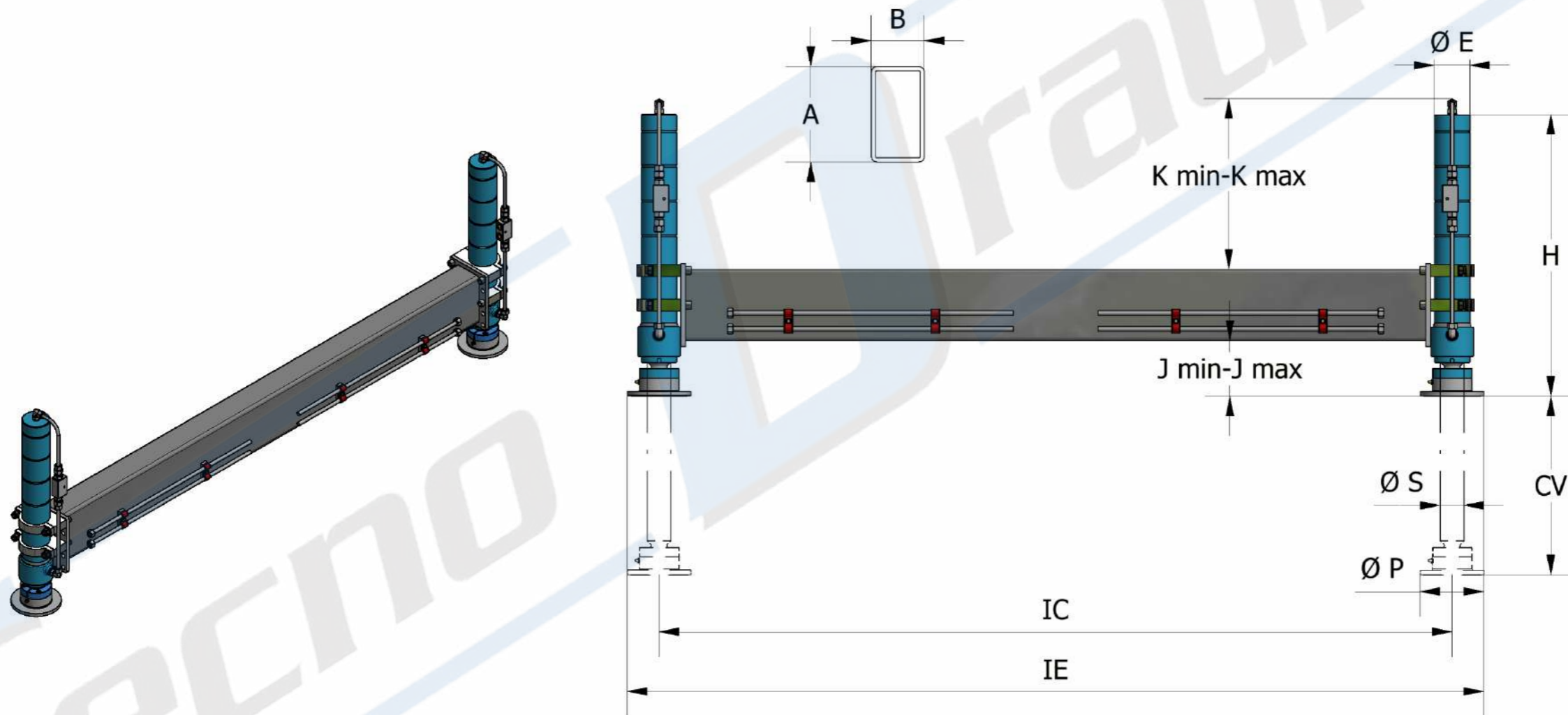


## FIXED ADDITIONAL STABILIZERS

- Fixed additional stabilizers with cylinders adjustable in height (CR). For cranes with a capacity from 2 to 50 Ton-m
- Width: from 1960 mm to 2500 mm. Cylinders available with several heights depending on customer's needs.



CRANE	SERIES	MODEL	MAIN DIMENSIONS (mm)											
			Ton-m	IE	IC	AxB	∅E	∅S	CV	H	∅P	J min-max	K Min-max	Weight (Kg.)
2-4	0A	TD-F/S-CR-PS	1960	1800	120x80	75	40	355	540	160	150-420	0-330	70	2350
4-10	0	TD-F/S-CR-PS	2160	2000	120x80	75	40	355	540	160	120-420	0-330	80	2950
10-23	1	TD-F/S-CR-PS	2160	2000	180x100	90	60	450	705	160	110-550	0-430	145	6250
		TD-F/L-CR-PS	2160	2000	180x100			580	850		110-640	0-560	160	
18-31	2	TD-F/C-CR-PS	2300	2100	200x100	100	60	470	750	200	100-550	0-440	170	8200
		TD-F/S-CR-PS						550	830		100-640	0-530	185	
		TD-F/L-CR-PS						635	915		100-730	0-600	190	
20-38	3	TD-F/C-CR-PS	2500	2300	220x120	100	60	470	750	200	100-550	0-440	210	10000
		TD-F/S-CR-PS						550	830		100-640	0-530	220	
		TD-F/L-CR-PS						635	915		100-730	0-600	225	
30-50	4	TD-F/C-CR-PS	2500	2300	220x120	110	70	565	840	200	90-630	0-540	265	12000
		TD-F/S-CR-PS			220x120			735	1000		250-815	0-580	275	

DIMENSIONS SHOWN ARE INDICATIVE. WE RECOMMEND TO REQUEST A DIMENSIONAL DRAWING DURING THE OFFER  
DATA MAY BE CHANGED WITHOUT NOTICE

ALL RIGHTS RESERVED. COPYING AND REPRODUCTION OF THE CONTENTS AND IMAGES IN ANY FORM IS PROHIBITED

TECNODRAULIC srl via 1° Maggio, 32/36 - 25010 ISORELLA (Brescia) ITALY P.IVA 02177550981  
Tel. +39.030.9529199 - Fax +39.030.9529284 - [www.tecnodraulic.com](http://www.tecnodraulic.com) - [info@tecnodraulic.com](mailto:info@tecnodraulic.com) - Cap. Soc. € 15.300,00 i.v. - Reg. Imp. BS n. 02177550981 - REA n. 427275

#### OPTIONAL:

**CGR:** manual rotating cylinder (360°) available from 0A TD series to 2 TD series.

**CGRI:** hydraulic rotating cylinder (180°) available from 2 TD series

**PS:** standard articulated footplate

**PF:** for cylinders with fixed footplate (available on request), decrease the "H" dimension by approximately 28 mm