

PREDISPOSITION ACCORDING TO EUROPEAN MACHINES DIRECTIVE 2006/42/EC

FIXED STABILIZERS

Kit-DM1: predisposition for pressure sensors for cylinders down (without sensors)

Kit-DM2: predisposition complete with n.2 pressure sensors on cylinders

EXTENDABLE STABILIZERS (SERIES 0A TD - 0 TD - 1 TD - 2 TD)

Kit-DM3: predisposition for sensors on rods and cylinders (without sensors)

Kit-DM4: predisposition with n.4 ON/OFF sensors to detect opening and closing of rods and n.2 pressure sensors on cylinders

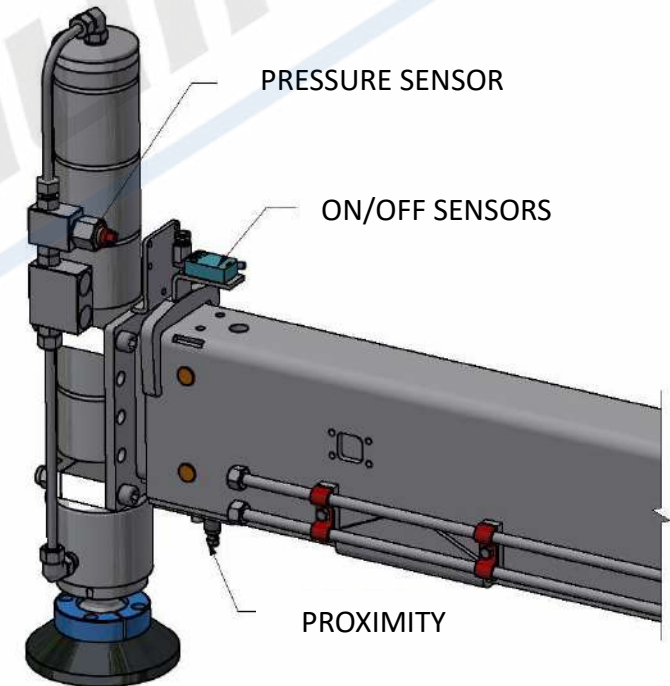
Kit-DM5: predisposition with n.4 ON/OFF sensors to detect opening and closing of rods and n.2 proximity sensors under stabilizer

EXTENDABLE STABILIZERS (SERIES 3 TD - 4 TD - 5 TD - 6 TD - 7 TD)

Kit-DM6: predisposition for ON/OFF sensors on rods and cylinders (without sensors)

Kit-DM7: predisposition with n.4 ON/OFF sensors to detect opening and closing of rods and n.2 pressure sensors on cylinders

Kit-DM8: predisposition with n.4 ON/OFF sensors to detect opening and closing of rods and n.2 proximity sensors under stabilizer



Updated version 05/24