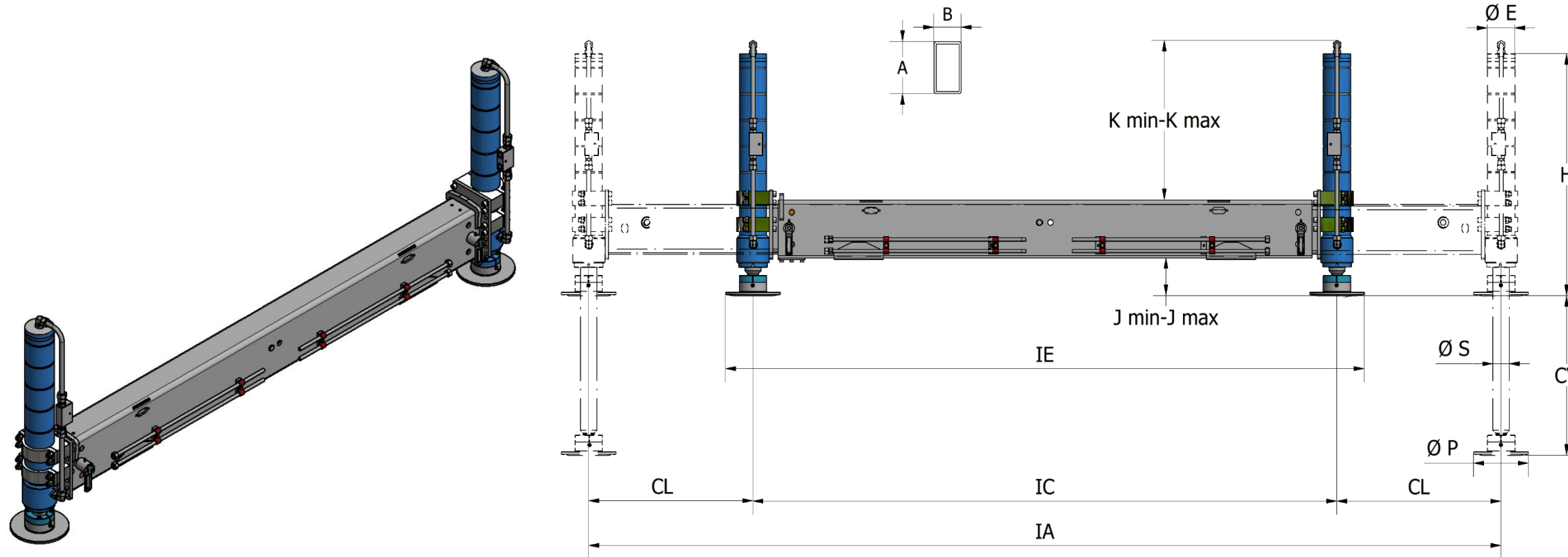


ADDITIONAL STABILIZERS WITH OPPOSED RODS

- Ideal for application with cranes with capacity from 2-4 Ton-m up to 50 Ton-m.
- Cylinders adjustable in height (CR version) available in different sizes
- Hydraulic or manual extendable



CRANE	SERIES	MODEL	MAIN DIMENSIONS (mm)													
Ton-m			IE	IC	CL	IA	AxB	CV	øE	øS	H	øP	J min-max	K Min-max	Weight (Kg.)	R.max (daN)
2-4	0A-C	TD-EML/S-CR-PS	1720	1560	450	2460	120x80	355	75	40	530	160	125-425	0-330	105	1550
	0A	TD-EML/S-CR-PS	1960	1800	500	2800	120x80	355	75	40	530	160	125-425	0-330	115	1550
4-10	0D	TD-EML/S-CR-PS	1970	1810	440	2690	150x100	355	75	40	530	160	115-415	0-240	130	2950
	0C	TD-EML/S-CR-PS	2070	1910	500	2910									140	
	0	TD-EML/S-CR-PS	2260	2100	600	3300									150	
10-23	1	TD-EML/S-CR-PS	2260	210	600	3300	200x100	450	90	60	700	160	110-540	0-420	210	6250
		TD-EML/L-CR-PS						580			840		110-640	0-540	220	
	1	TD-EHL/S-CR-PS	2260	210	600	3300	200x100	450	90	60	700	160	110-540	0-420	225	6250
		TD-EHL/L-CR-PS						580			840		110-640	0-540	235	
18-31	2	TD-EML/C-CR-PS	2300	2100	600	3300	200x120	470	100	60	750	200	100-550	0-440	245	8200
		TD-EML/S-CR-PS						550			830		100-640	0-530	250	
		TD-EML/L-CR-PS						635			915		150-660	0-590	255	
	2	TD-EHL/C-CR-PS	2300	2100	600	3300	200x120	470	100	60	750	200	100-550	0-440	260	8200
		TD-EHL/C-CR-PS						550			830		100-640	0-530	270	
		TD-EHL/L-CR-PS						635			915		150-660	0-590	280	
30-50	4	TD-REHL/C-CR-PS	2487	2287	500	3287	204x206	565	110	70	840	200	70-750	0-600	470	12000
		TD-REHL/L-CR-PS						735			1000		70-880	0-780	490	

PS: standard articulated footplate

PF: for cylinders with fixed footplate (available on request), decrease the "H" dimension by approximately 28 mm

EML: manual extendable

EHL: hydraulic extendable

OPTIONAL:

CGR: manual rotating cylinder (360°) available from OA TD series to 2 TD series.

CGRI: hydraulic rotating cylinder (180°) available from 2 TD series

DIMENSIONS SHOWN ARE INDICATIVE. WE RECOMMEND TO REQUEST A DIMENSIONAL DRAWING DURING THE OFFER
DATA MAY BE CHANGED WITHOUT NOTICE

ALL RIGHTS RESERVED. COPYING AND REPRODUCTION OF THE CONTENTS AND IMAGES IN ANY FORM IS PROHIBITED