

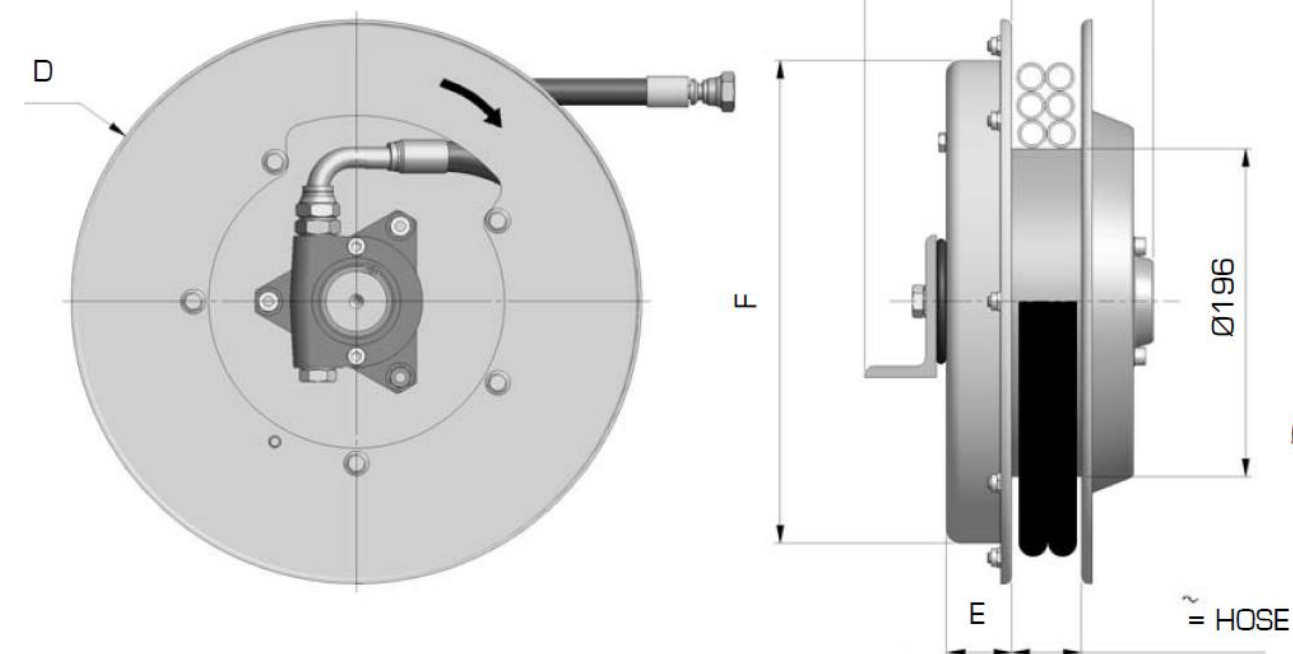
Tecno Draulic srl

HYDRAULIC HOSE REELS

Oil flow: 30 lt/min
 Working pressure: 300 bar
 Pipe speed: 30 m/min
 Temperature: -20/+80°

MODEL	A	B	D	E	F	Ø PIPE
AG* 296	161	75	295	35	291	3/8
AG* 321	161	82	325	37	272	3/8
AG* 370	161	82	370	37	272	3/8

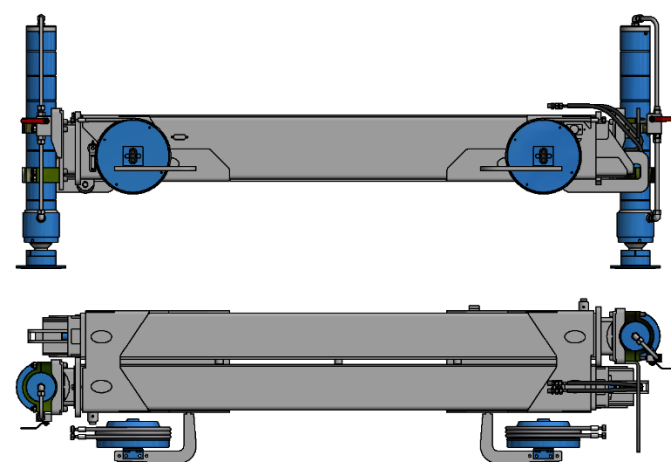
*D o S (D= right rotation) – (S= left rotation)



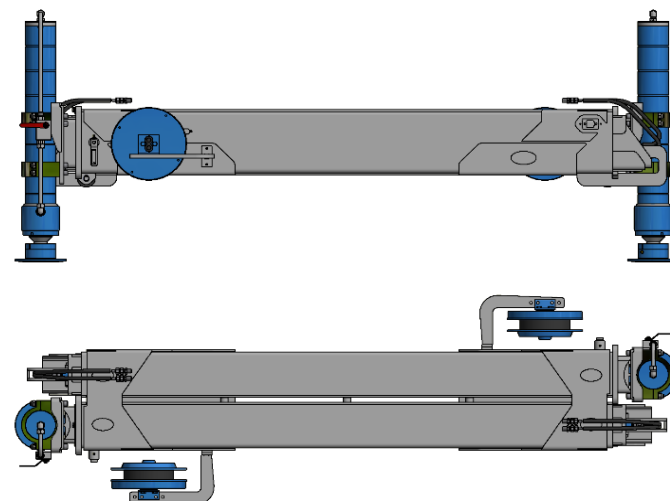
See different possible applications in the next page

HOSE REELS DIFFERENT POSITIONS

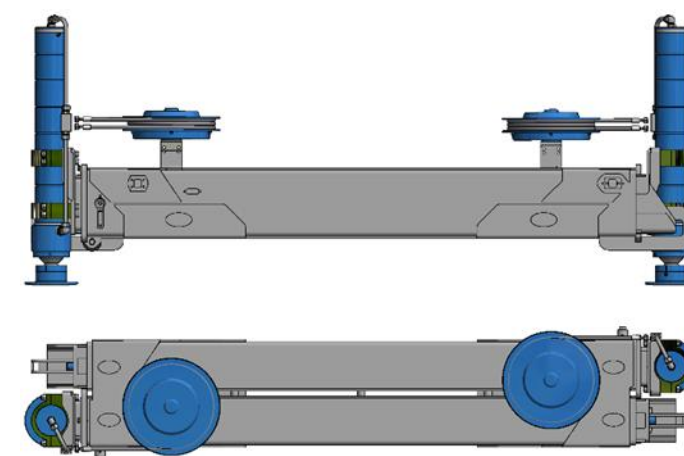
Different hose reels applications



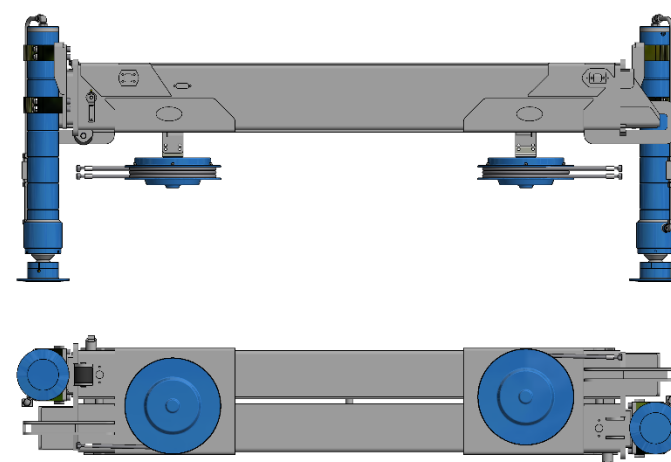
ON THE SAME SIDE



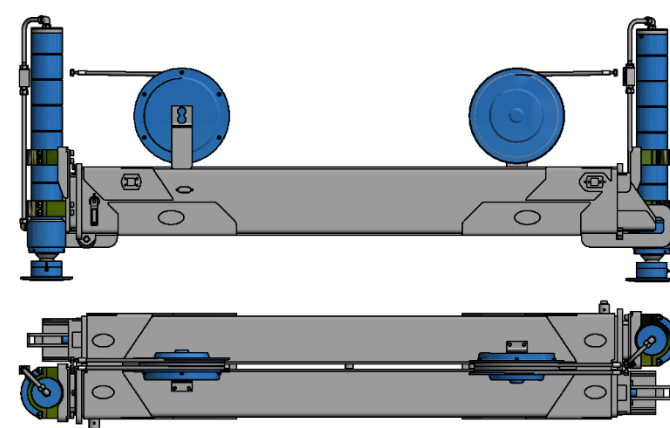
OPPOSITE SIDES



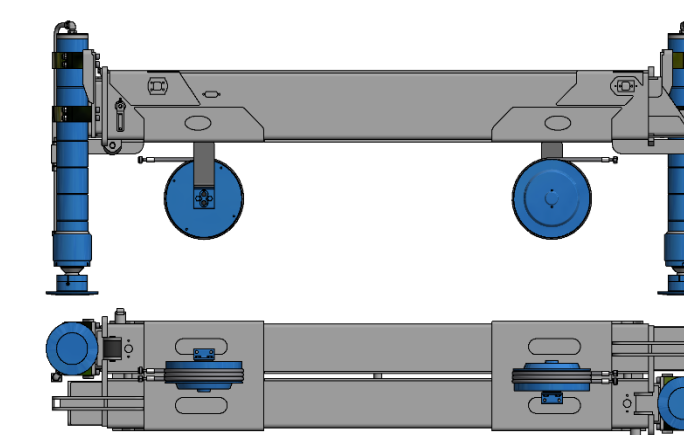
HORIZONTAL OVER STAB.



HORIZONTAL UNDER STAB.



VERTICAL OVER STAB.



VERTICAL UNDER STAB.