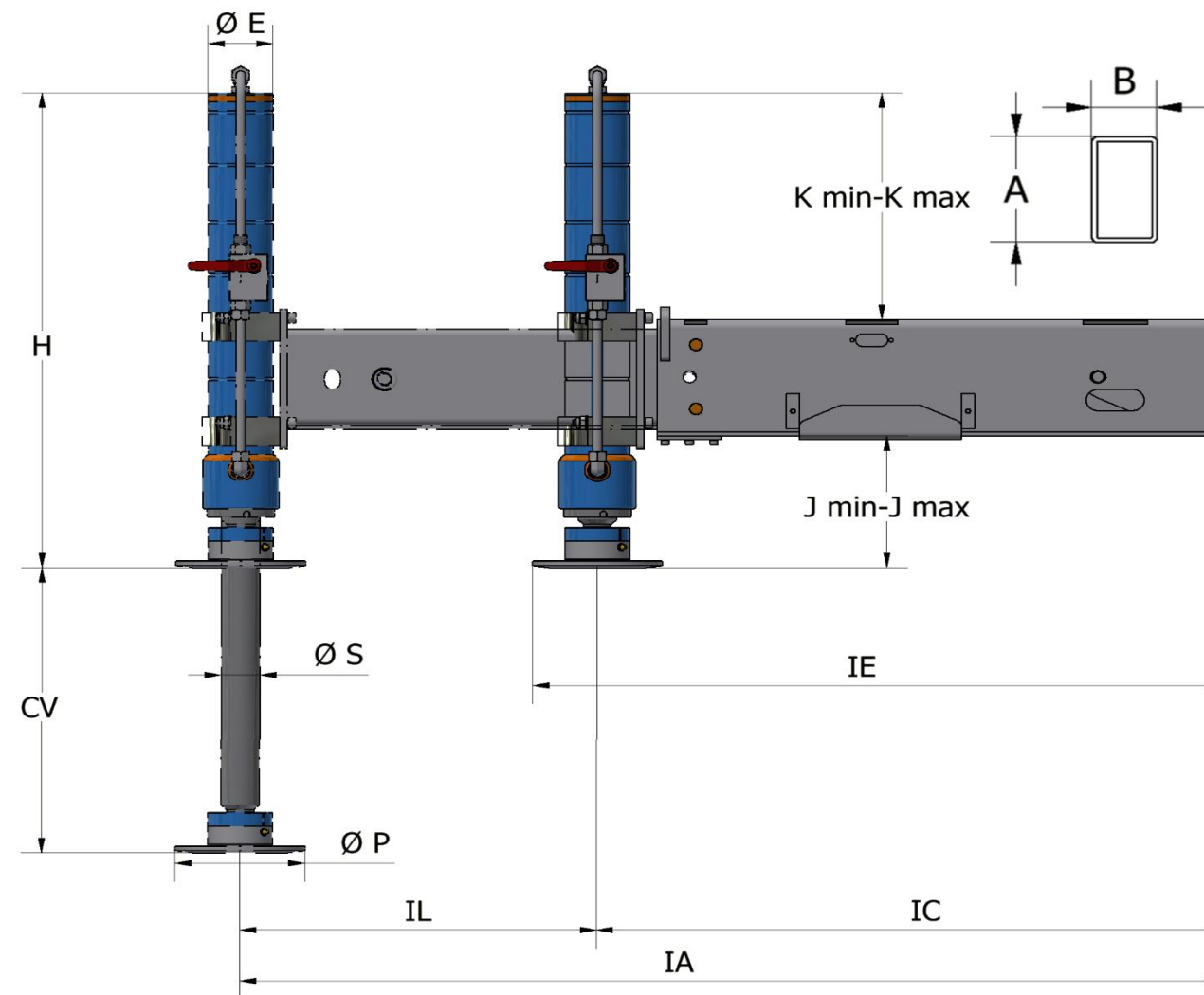
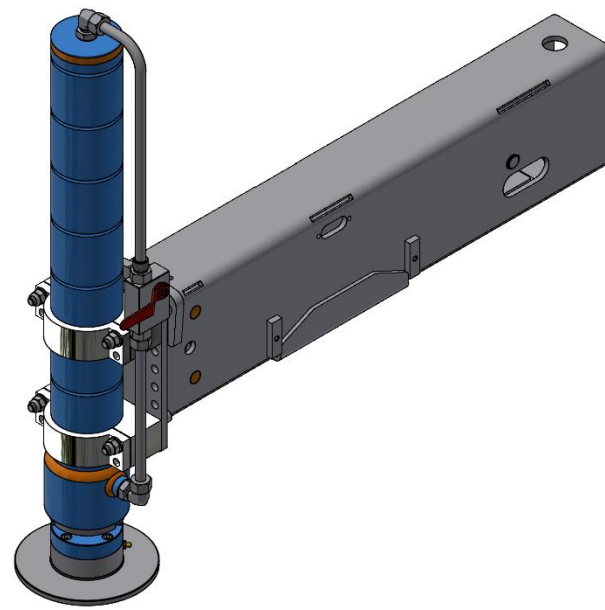


ADDITIONAL HALF STABILIZERS

- Additional half stabilizers to ensure a better stability for a vehicle already equipped with crane and additional stabilizer
- Cylinders adjustable in height (CR version) available in different sizes
- Manual or hydraulic extendable



CRANE	SERIES	MODEL	MAIN DIMENSIONS (mm)					STABILIZER CYLINDER DIMENSIONS (mm)							
			IE	IC	CL	IA	AxB	ØE	ØS	H	ØP	CV	J min-max	K Min- max	
2-4	H-0A	TD-EML/S-CR-PS	980	900	500	1400	122x80	75	40	540	160	350	120-420	0-300	
4-10	H-0	TD-EML/S-CR-PS	1130	1050	600	1650	150x100	75	40	540	160	350	110-410	0-300	
18-31	H-2	TD-EML/C-CR-PS TD-EHL/C-CR-PS	1065	965	355	1320	206x120	100	60	750	200	470	95-575	0-450	
		TD-EML/S-CR-PS TD-EHL/S-CR-PS								830			550	140-675	0-505
		TD-EML/L-CR-PS TD-EHL/L-CR-PS								915			635	140-770	0-540
30-50	H-4	TD-EML/C-CR-PS TD-EHL/C-CR-PS	1990	1890	1350	3240	316x130	110	70	840	200	565	85-605	0-455	
		TD-EML/S-CR-PS TD-EHL/S-CR-PS								1000			735	85-740	0-640
80-120	H-7	TD-EHL/C-CR-PS	2100	2000	1300	3300	360x200	140	100	860	200	470	120-620	0-390	
		TD-EHL/L-CR-PS								1000			610	120-720	0-525

PS: standard articulated
footplate

EML: manual extendable

EHL: hydraulic
extendable

Hydraulic rotating cylinder
180° (CGRI) available from
the H-4 TD series

DIMENSIONS SHOWN ARE INDICATIVE. WE RECOMMEND TO REQUEST A DIMENSIONAL DRAWING DURING THE OFFER
DATA MAY BE CHANGED WITHOUT NOTICE

ALL RIGHTS RESERVED. COPYING AND REPRODUCTION OF THE CONTENTS AND IMAGES IN ANY FORM IS PROHIBITED