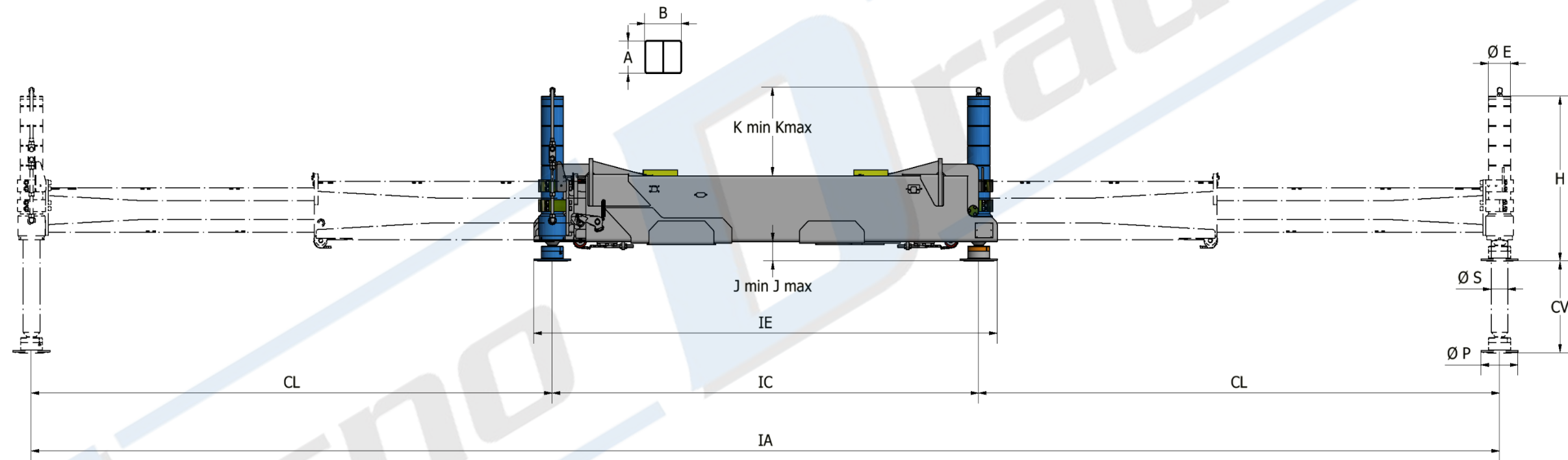


ADDITIONAL STABILIZERS WITH DOUBLE EXTENSION

- Additional stabilizers for cranes with a capacity from 50 to 120 Ton-m
- Opening up to a maximum of 8350 mm
- Height adjustable cylinders (CR) available in different heights



CRANE	SERIES	MODEL	MAIN DIMENSIONS (mm)														Hose reels
			Ton-m	IE	IC	CL	IA	AxB	øP	øE	øS	CV	H	J min-max	K Min- max	Weight (Kg.)	
50-80	5	TD-EXHP/C-CR	2500	2300	2300	6900	320x350	200	120	90	460	850	145-700	0-435	1060	15150	○
		TD-EXHP/L-CR									610	1000	145-800	0-585	1080		○
	5	TD-EXHPL/C-CR	2500	2300	2800	7900	325x350	200	120	90	460	850	145-700	0-435	1200	15000	❖
		TD-EXHPL/L-CR									610	1000	145-800	0-585	1230		❖
70-100	6	TD-EXHP/C-CR	2500	2300	2300	6900	330x446	200	120	90	460	850	115-645	0-460	1410	19500	○
		TD-EXHP/L-CR									610	1000	115-745	0-610	1430		○
	6	TD-EXHPL/C-CR	2500	2300	2800	7900	330x446	200	120	90	460	850	115-645	0-460	1560	19000	❖
		TD-EHPL/L-CR									610	1000	115-745	0-610	1580		❖
80-120	7	TD-EXHPL/C-CR	2550	2350	3000	8350	360x530	200	140	100	470	860	85-575	0-480	2040	25000	❖
		TD-EXHPL/L-CR									610	1000	85-675	0-620	2090		❖

DIMENSIONS SHOWN ARE INDICATIVE. WE RECOMMEND TO REQUEST A DIMENSIONAL DRAWING DURING THE OFFER
DATA MAY BE CHANGED WITHOUT NOTICE

ALL RIGHTS RESERVED. COPYING AND REPRODUCTION OF THE CONTENTS AND IMAGES IN ANY FORM IS PROHIBITED

TECNODRAULIC srl via 1° Maggio, 32/36 - 25010 ISORELLA (Brescia) ITALY P.IVA 0217750981
Tel. +39.030.9529199 - Fax +39.030.9529284 - www.tecnodraulic.com - info@tecnodraulic.com Cap. Soc. € 15.300,00 i.v. - Reg. Imp. BS n. 0217750981 - REA n. 427275

PS: standard articulated footplate

CGRI: Optional hydraulic rotating cylinder (180°) available for all models

HOSE REELS:

- ❖ Standard Hydraulic reels
- Optional hose reels

[electro-hydraulic hose reels on request]