

## PREDISPOSITION ACCORDING TO EUROPEAN MACHINES DIRECTIVE 2006/42/EC

### FIXED STABILIZERS

*Kit-DM1*: predisposition for pressure sensors for cylinders down (without sensors)

*Kit-DM2*: predisposition complete with n.2 pressure sensors on cylinders

### EXTENDABLE STABILIZERS (SERIES 0A TD - 0 TD - 1 TD - 2 TD)

*Kit-DM3*: predisposition for sensors on rods and cylinders (without sensors)

*Kit-DM4*: predisposition with n.4 ON/OFF sensors to detect opening and closing of rods and n.2 pressure sensors on cylinders

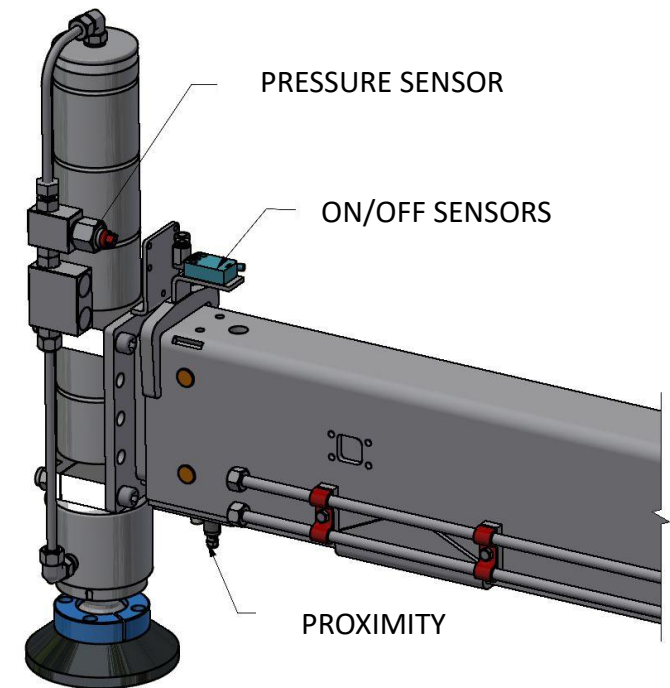
*Kit-DM5*: predisposition with n.4 ON/OFF sensors to detect opening and closing of rods and n.2 proximity sensors under stabilizer

### EXTENDABLE STABILIZERS (SERIES 3 TD - 4 TD - 5 TD - 6 TD - 7 TD)

*Kit-DM6*: predisposition for ON/OFF sensors on rods and cylinders (without sensors)

*Kit-DM7*: predisposition with n.4 ON/OFF sensors to detect opening and closing of rods and n.2 pressure sensors on cylinders

*Kit-DM8*: predisposition with n.4 ON/OFF sensors to detect opening and closing of rods and n.2 proximity sensors under stabilizer



Updated version 05/24