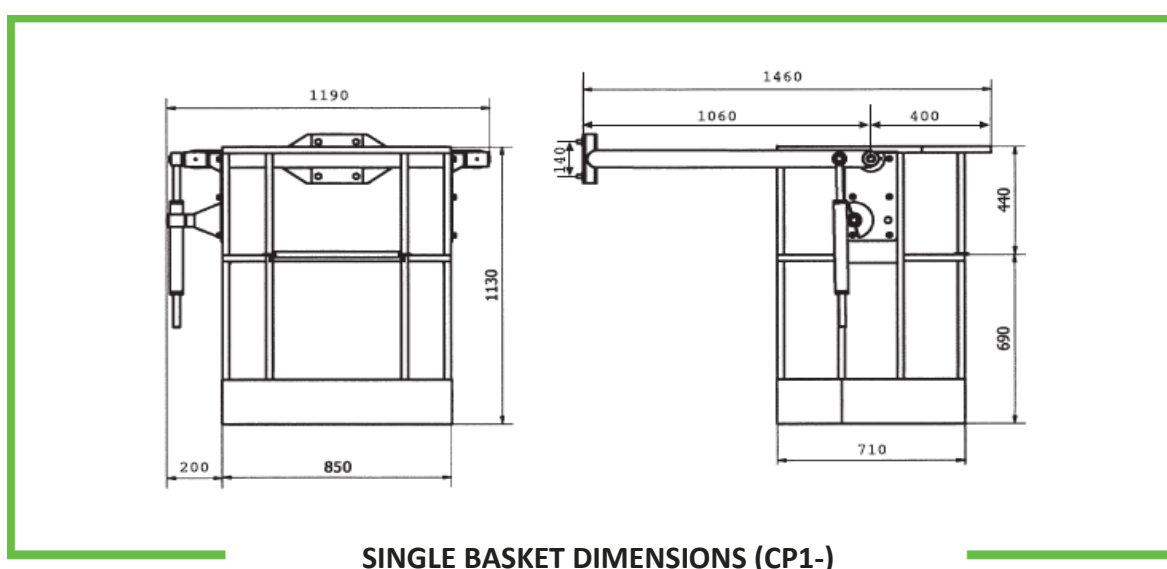
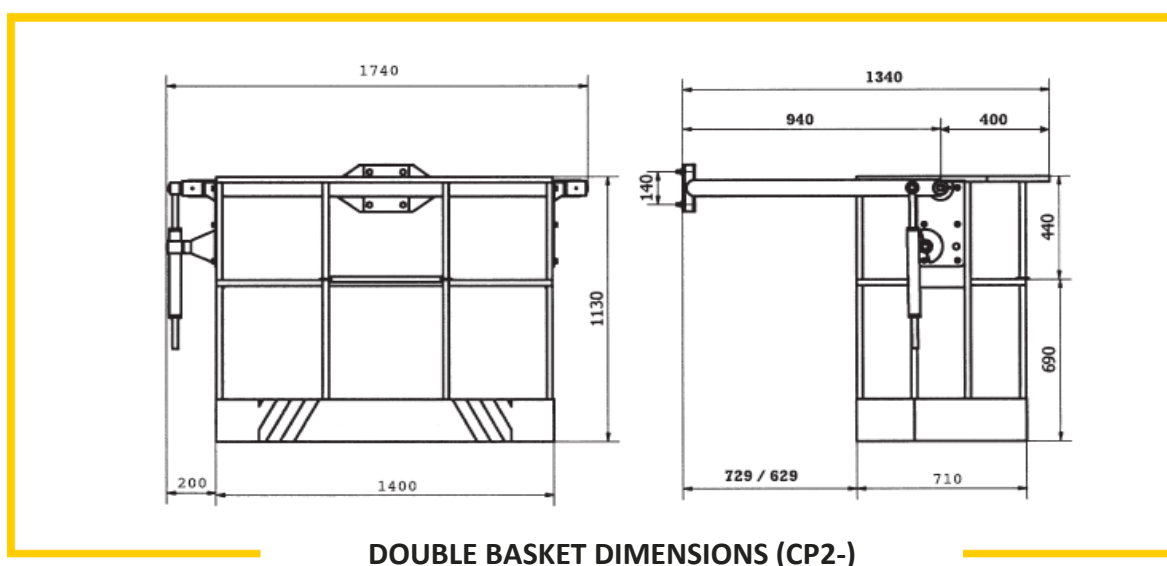


## OPERATOR BASKETS TECHNICAL DATA

MODEL	WEIGHT [Kg.]	MAX LOADING CAPACITY [Kg.]	No. OPERATOR Cap.
CP1F (Iron single basket)	72	120	1
CP1A (Aluminium single basket)	64	120	1
CP1V (Fiberglass single basket)	83	120	1
CP2F (Iron double basket)	98	200	2
CP2A (Aluminium double basket)	78	200	2
CP2V (Fiberglass double basket)	105	200	2



SINGLE BASKET DIMENSIONS (CP1-)



DOUBLE BASKET DIMENSIONS (CP2-)

Updated version 05/24

## ROTATING DOUBLE OPERATOR BASKETS TECHNICAL DATA

MODEL	WEIGHT [Kg.]	MAXIMUM LOADING CAPACITY [Kg.]	No. OPERATOR Cap.
<b>CP2AG</b> (Rotating double basket in aluminium)	115	200	2
<b>CP2FG</b> (Rotating double basket in iron)	135	200	2
<b>CP2VG</b> ( Rotating double basket in fiberglass)	145	200	2

